

**Talis S**  
**Single lever bath mixer for exposed installation**  
 Surfaces: **Chrome** Article Number: **72400000**



## Description

### product features

- projection 166 mm
- connection type: s-shaped connections
- centre distance:  $150 \pm 12$  mm
- spray type mixer: normal spray
- flow rate for bath spout at 3 bar: 20 l/min
- flow rate of hand shower at 3 bar: 14 l/min
- ceramic cartridge
- temperature limitation adjustable
- with automatic resetting
- intrinsically safe against backflow
- with silencer
- suitable for continuous flow water heaters
- connection dimension: DN15

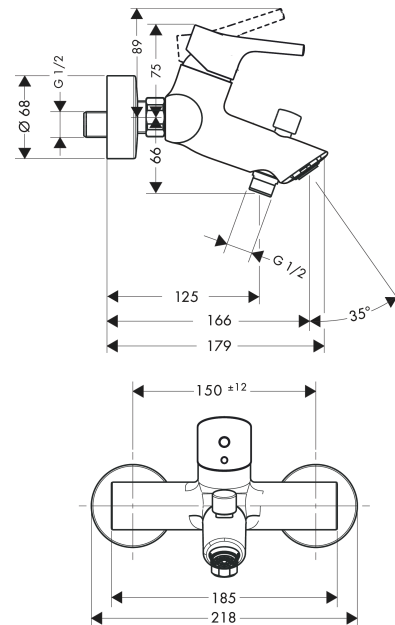
## Technology



## Product image



## Scale drawing



**Talis S**  
**Single lever bath mixer for exposed installation**  
 Surfaces: **Chrome**    Article Number: **72400000**



### Flowchart

